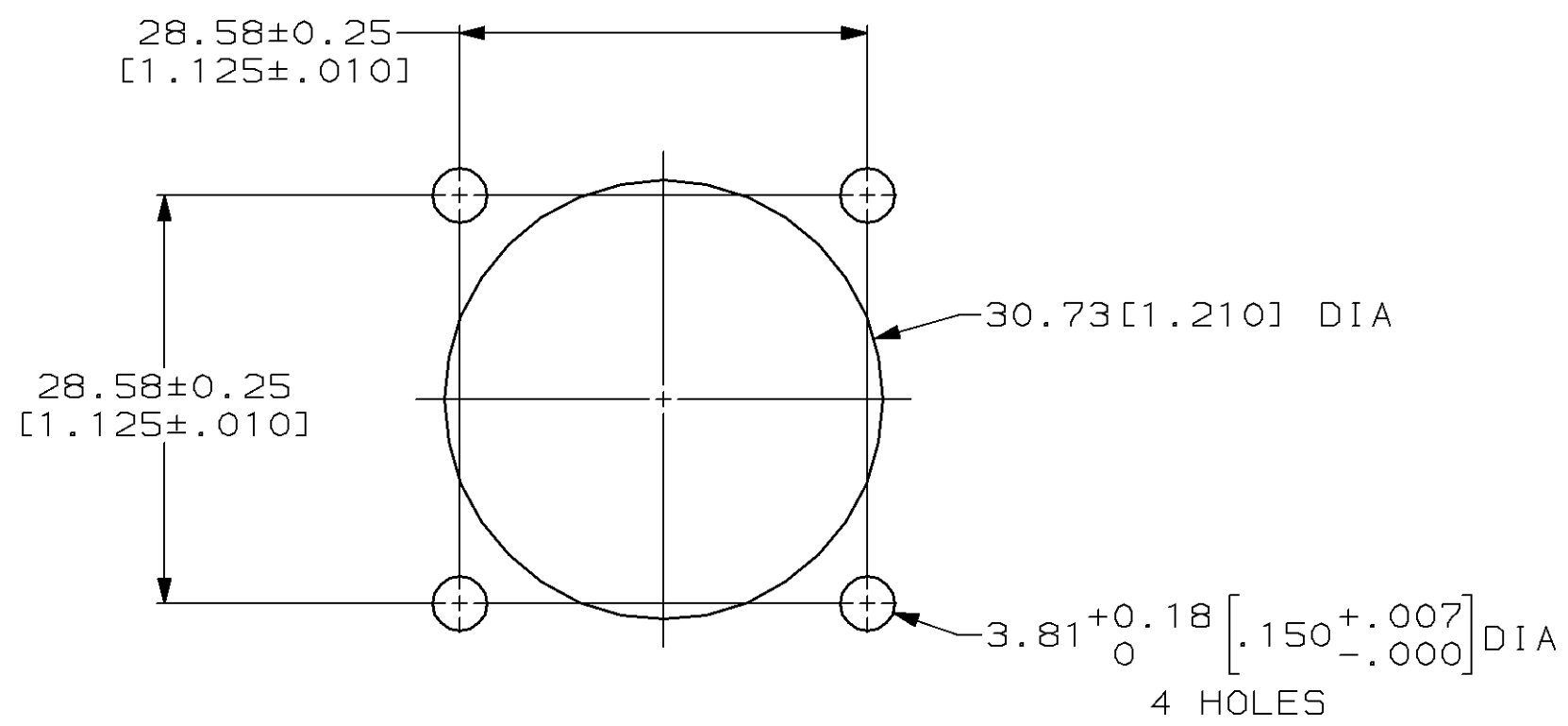
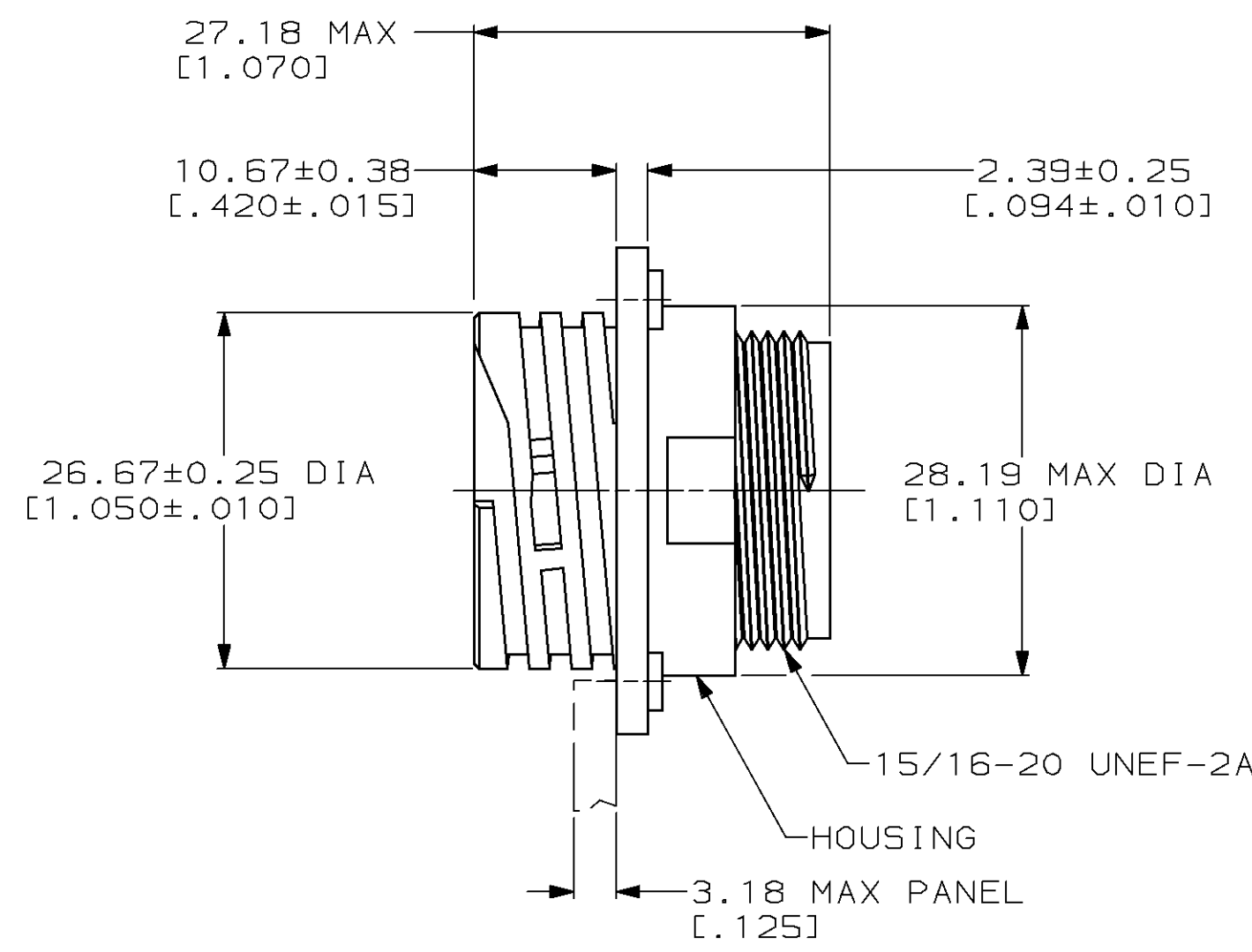
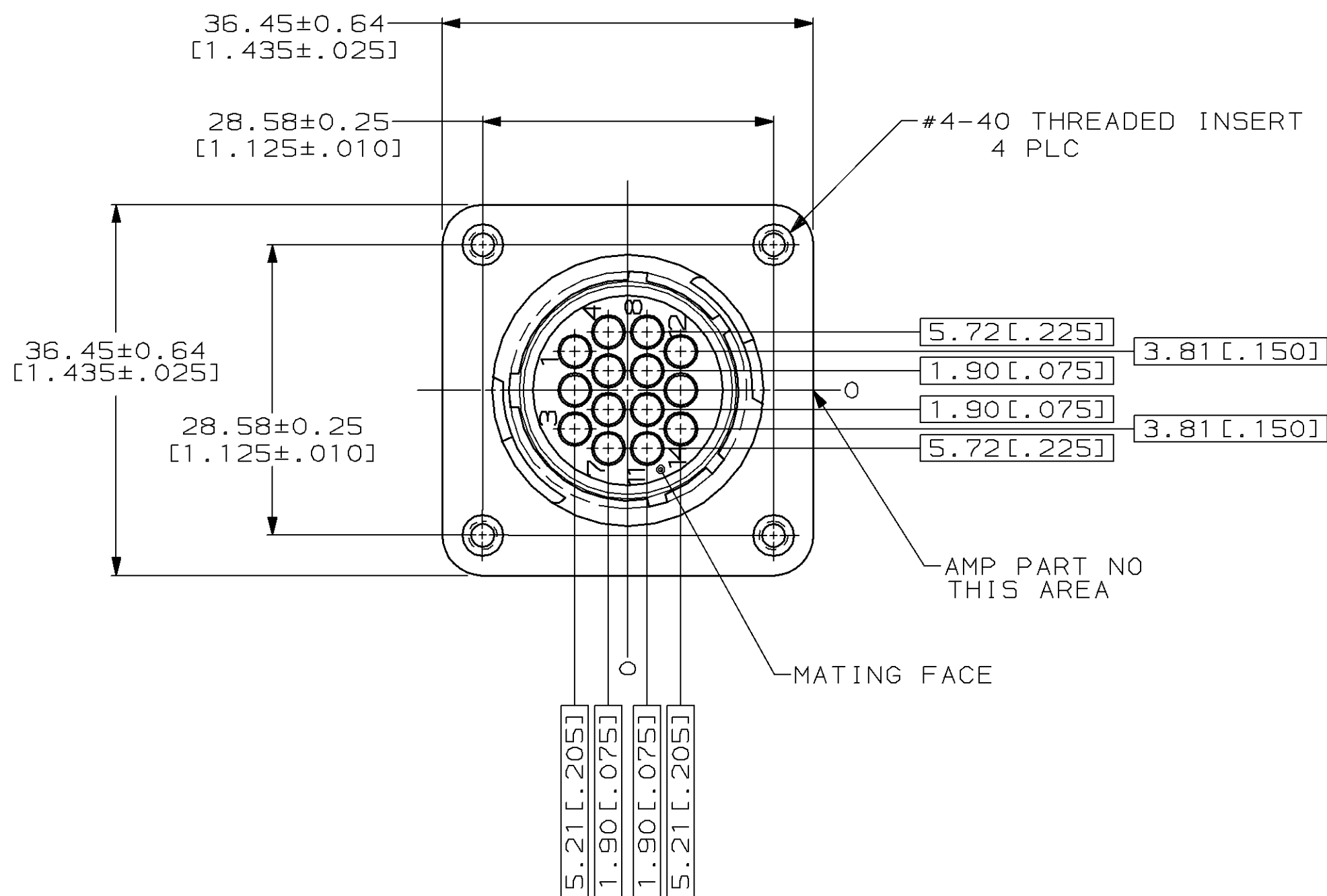


MOD		LOC		DIST		REVISIONS				
ZONE	LTR	DESCRIPTION	DATE	APPD						
4	BD	35	P	F	A	REDRAWN W/O CHANGE PER EC 0020-600-94	06/21/94	AF		



- CAVITY IDENTIFICATION ON FRONT AND REAR FACE.
- WILL ACCEPT FOURTEEN (14) MULTIMATE SOCKET CONTACTS.

THIS DRAWING IS A CONTROLLED DOCUMENT FOR AMP INCORPORATED. IT IS SUBJECT TO CHANGE AND THE CONTROLLING ENGINEERING ORGANIZATION SHOULD BE CONTACTED FOR THE LATEST REVISION.

DO NOT SCALE PRINT. UNLESS SPECIFIED DIMENSIONS IN mm [INCHES] TOLERANCES ON : 2 PLC DEC ± - 3 PLC DEC ± - ANGLES ± -		DR 06-21-94 D.HARDY	AMP Incorporated Harrisburg, PA 17105-3608	
MATERIAL HOUSING: THERMOPLASTIC, BLACK INSERT: BRASS		CHK 06-28-94 R.STONE		
FINISH -		APPD 08-09-94 A.FRANTUM	SIZE 00779	DRAWING NO =211103
		APPD 08-09-94 A.FRANTUM	SCALE 2:1	SHEET 1 OF 1
		APPLICATION SPEC -	PART NO 211103-1	
		WEIGHT -	CUSTOMER DRAWING	